

Suspended Platform Systems

Suspended platforms, hoists and outriggers

XSPHILOSOPHY: DRIVEN BY INNOVATION

SAFETY ABOVE ALL
FOCUS ON THE CUSTOMER
SIMPLICITY DEFINES QUALITY
THE BEST ISN'T GOOD ENOUGH
THERE IS NO SUCH THING AS A PROBLEM

At XSPlatforms we believe that everyone who has to work at height must be able to do so safely and easily. Whether this involves minor maintenance at 35 feet or an entire renovation at 300 feet: everyone - regardless of where they are in the world - must be able to work at height safely.

We work to achieve this ambition every day. Through innovation, we strive to make our products not just safer, but also more accessible and more user-friendly. In our opinion, innovation is more than just having a good idea. Real innovation is discovering what the true needs of customers are and acting accordingly.

With this approach, our modular Suspended Platform Systems have become the new standard for easy and efficient work at height, without compromising safety in any way. A revolution in working at height with temporary working platforms.

For our full XSPhilosophy, visit xsplatforms.com

A tall, ornate building under renovation. A suspended platform system is visible, with two workers on it. The building has many windows and decorative elements. The platform is suspended by cables and has a telescopic arm.

SUSPENDED PLATFORM SYSTEMS

Our modular Suspended Platform Systems are ideal for temporary access to heights and guarantee superior stability and usability. Because the system can be built up from a number of different modules that are easily connected, it can easily be used in various configurations.

INNOVATIVE DESIGN

In addition to safety, other important aspects such as user-friendliness, weight and mobility were considered in the development of our Suspended Platform Systems. The platform modules can be folded in and out for ease of transportation, and are incredibly robust thanks their aluminum extrusion profiles. The XSClimber traction hoist can be fitted with one of two types of external secondary brakes, so that it is easy to install in different parts of the world. The outrigger is equipped with a telescopic arm and is made of lightweight parts, making it easy to assemble and easy to transport as well. The result is a user-friendly, compact and lightweight system that is unique in its market.

DURABILITY

The clever innovations to our Suspended Platform Systems have not only increased its safety, mobility and usability, but they also guarantee a more durable solution. By using high grade materials and techniques such as extrusion, all parts of our suspended platforms are exceptionally robust, which makes the system very suitable for rental.

EASY TO ADJUST FOR EVERY SITUATION

Our Suspended Platform Systems consist of several different modules. With the help of the patented Connection Frame and its innovative Twist & Lock system, the platform can be connected in three simple steps. Combined with the user-friendly outrigger and the plug & play XSClimber, this guarantees a suspended platform that can easily be assembled on-site.

THE MODULAR PLATFORM

At XSPlatforms, we always put safety first. For that reason, our suspended platforms are engineered to exceed all relevant international requirements. They are certified in accordance with the European standard EN1808:1999+A1:2010, and are designed and tested to comply with EN1808:2015. This guarantees that work can take place safely. In addition to this guarantee, our platform modules stand out because of the following characteristics:



COMPACT AND LIGHTWEIGHT

A working platform of our Suspended Platform Systems can be assembled using a number of different modules. Its frames are foldable, which makes the system very compact so that it takes up less storage space when not in use. The entire suspended platform consists of just a few parts and are either fully made of aluminum or fitted with a high grade composite. This makes the system very light and therefore easy to transport.

FOLDABLE AND USER-FRIENDLY

The patented Connection Frame ensures the working platform can be assembled in just three simple steps. Because its integrated handrail post is fitted with the innovative Twist & Lock system, two platform modules can be secured quickly and easily, by simply twisting it. The Twist & Lock system also ensures that the entire suspended platform can be assembled without any additional tools, and lost parts are a thing of the past.



Twist & lock system

FLEXIBILITY

The platform can be assembled with modules of 3.3, 6.6 and 9.8 feet. By combining these modules in different configurations, it becomes possible to create a suspended platform for any situation effortlessly. The corner sections (45° and 90°) add even more flexibility, which makes our Suspended Platform Systems perfect for special structures such as wind turbines.

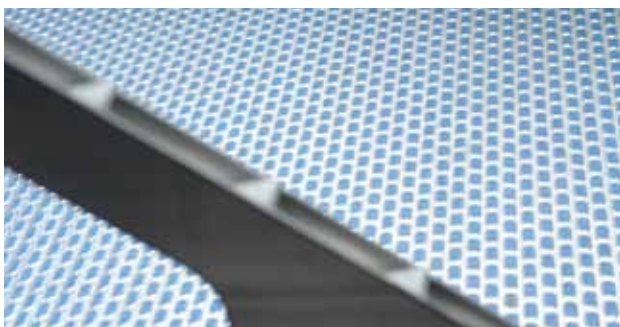
AVAILABLE AT ALL TIMES

Because the system consists of different modules, the parts requiring maintenance can simply be left out without the entire system being rendered unusable. It is possible to order individual parts and modules of the system if needed.



THE IDEAL WORKPLACE

Due to the unique design of the platform modules, the suspended platform has a width of 28 inches - twenty percent wider than comparable systems. The frames have integrated cable slots so power cords can always be tucked away neatly. On top of this, the extrusion profiles are fitted with slots to easily put a striking banner in place. To ensure safe movement, the Connection Frames are fitted with non-slip thresholds which are leveled with the flooring sections to exclude tripping hazard. The toolbox ensures that tools can be stowed away neatly and are no longer lost.

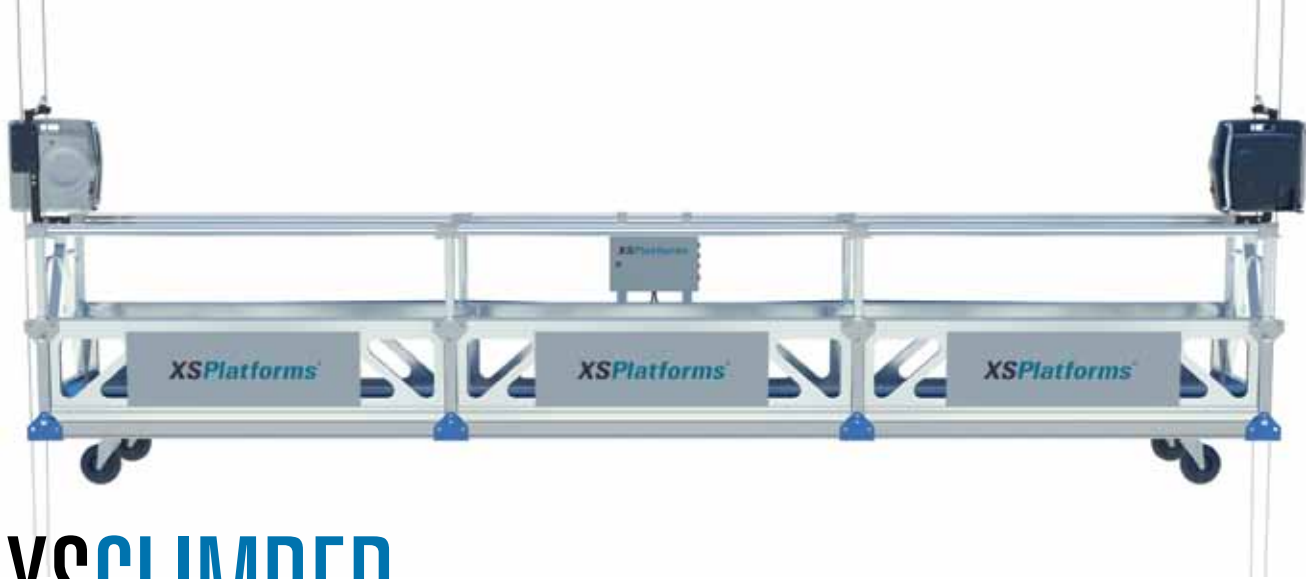


DURABLE

The high-grade aluminum profiles of the platforms are extruded – they have no welds. As a result, the frames are stronger and more durable. The floor elements are made of a combination of aluminum and a high-grade composite, which makes them both strong and easy to clean. Floor elements made entirely from aluminum are also available.

CONTROL

The Suspended Platform System is controlled from one Central Control Box (CCB), mounted at the center of the suspended platform. With this control box, the whole system can be operated. This CCB can easily be connected to one or more XSClimbers using the plug & play principle. Each XSClimber is also fitted with an individual control panel.



XSClimber

To make sure that our Suspended Platform Systems can be used in all parts of the world, XSPlatforms has developed a hoist unit that can be applied anywhere. The XSClimber is an electronic self-reeving traction hoist that can bring any work platform to the needed working level on a facade. It stands out because it is compact, silent and durable.



PLUG & PLAY ASSEMBLY

With the help of a single electrical connector, the XSClimber can easily be connected to the Central Control Box (CCB) without any extensive know-how being required.

WORKING LOAD LIMIT

The XSClimber has successfully undergone the heavy endurance test in accordance with the EN1808:2015 standard. The Working Load Limit (WLL) of the XSClimber was established at 1100 lbs. As a result, the hoist complies with the most recent European standard EN1808:2015 and has been tested to exceed the requirements of OSHA and ANSI.

The specifications of the hoist can be easily adjusted to meet the requirements of a specific region. This is why we designed a Printed Circuit Board (PCB) with all electronic components that can be easily replaced. Furthermore the XSClimber can be fitted with any type of secondary brake without any adjustments.

EASY TO OPERATE

Apart from the CCB, the system can easily be operated with the XSClimber, which is equipped with its own control box and an all-in-one control panel. This panel includes a lifting and lowering function as well as an emergency stop. This way, the suspended platform can be corrected in case it tilts. The control panel on XSClimber also ensures easy installation, because the wire rope can now be inserted by a single person.

LESS MAINTENANCE & SHORTER DOWNTIME

The XSClimber is made of high grade materials to ensure a long lifespan. Other characteristics that contribute to this are the waterproof housing with IP54 protection level (protected from limited dust ingress and water sprayed from any direction) and the ventilation slots that prevent overheating. The supports at the bottom and the four point access system allow for quick access to the internal mechanisms, which makes maintenance especially easy. The running hours of the system can be read without having to open the hoist, from a digital counter on the control panel. All electronics are included on a single Printed Circuit Board, which can easily be replaced.

PARTS

The XSClimber is designed for optimal user-friendliness, which is reflected in a number of its characteristics:

VENTILATION SLOTS

Dust and waterproof system that provides cooling for XSClimber.

OIL LEVEL CONTROL WINDOW

Allows for checking the oil level, without having to disassemble the hoist.

LOCATION OF SECONDARY BRAKE

This is where the Slack Rope Device or the Overspeed Device can be installed.

SUSPENSION POINT WITH INTEGRATED OVERLOAD

Integrated mechanical system which prevents use of the platform if it is overloaded.

CONNECTORS

Provide a connection between the secondary brake and the XSClimber, to deactivate the hoist in the event of an emergency.

FOUR-POINT ACCESS

The internal mechanisms can be accessed by simply removing 4 bolts.

TYPE PLATE

Every XSClimber has its own identification plate with a unique number allowing the hoist to be identified easily.



CONTROL PANEL

All-in-one control panel with lifting and lowering function, and an emergency stop.

SUPPORTS

Standing position possible for - amongst others - easy access to the internal mechanisms.



HANDLES

Ergonomically designed handles make XSClimber easy to transport.

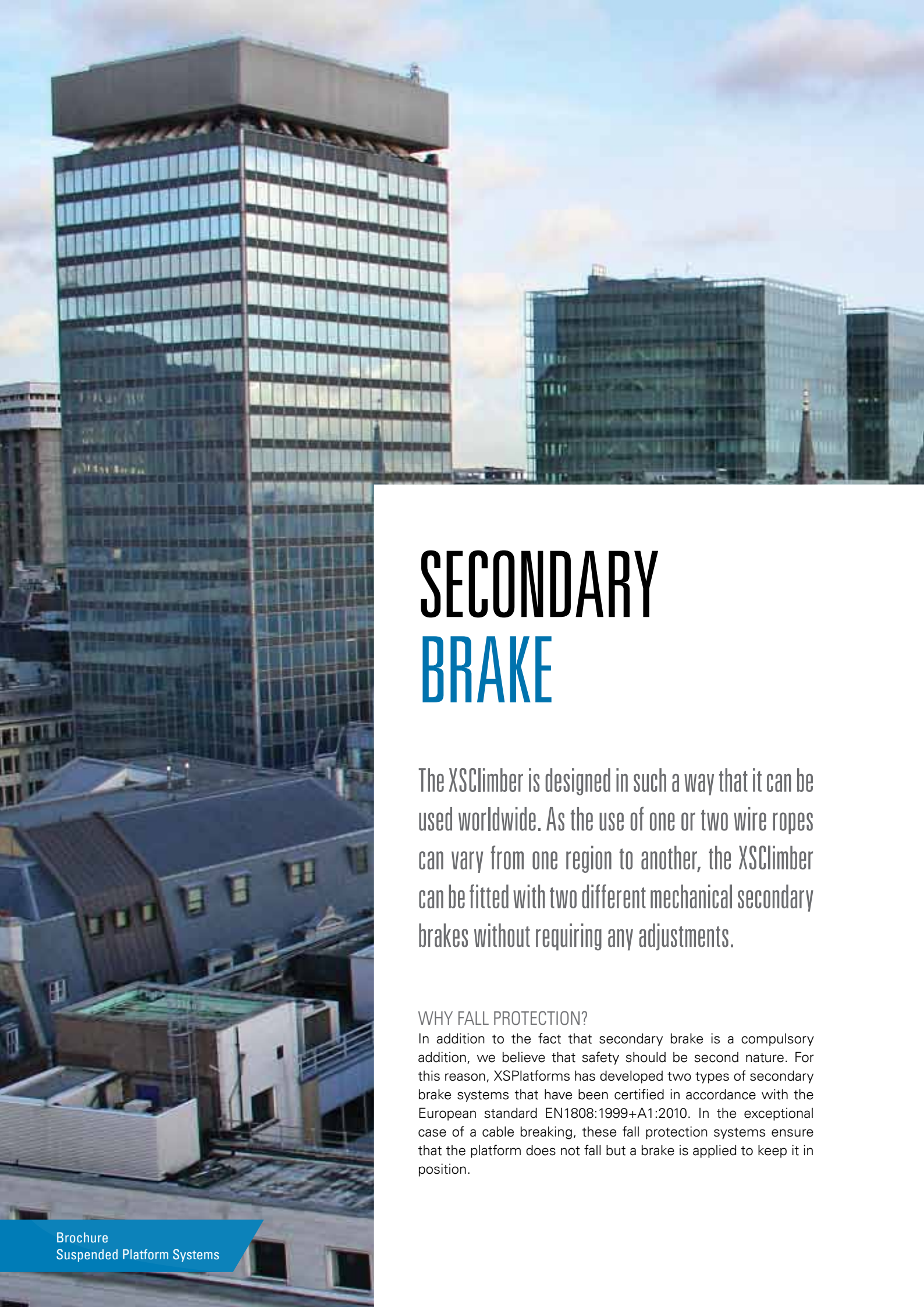
BRAKE RELEASE DEVICE

Allows lowering the platform in case of an emergency.

PLUG & PLAY

Easily connected to the CCB with a single connector.





SECONDARY BRAKE

The XSClimber is designed in such a way that it can be used worldwide. As the use of one or two wire ropes can vary from one region to another, the XSClimber can be fitted with two different mechanical secondary brakes without requiring any adjustments.

WHY FALL PROTECTION?

In addition to the fact that secondary brake is a compulsory addition, we believe that safety should be second nature. For this reason, XSPlatforms has developed two types of secondary brake systems that have been certified in accordance with the European standard EN1808:1999+A1:2010. In the exceptional case of a cable breaking, these fall protection systems ensure that the platform does not fall but a brake is applied to keep it in position.



SLACK ROPE DEVICE

The Slack Rope Device can be applied if the hoist uses two wire ropes: one for lifting and lowering and a secondary wire rope for safety. The Slack Rope Device is activated if tension on the suspension rope is lost. This means the Slack Rope Device activates the brake if a wire rope breaks, or if the platform tilts 14 degrees. The suspended platform will always remain attached to the roof or ceiling with the secondary wire rope, so that it cannot fall. The Slack Rope Device exceeds the minimum requirements in all countries, which means that it can be used anywhere in the world.



OVERSPEED DEVICE

The Overspeed Device can be applied if only one wire rope per hoist is used. In this situation, this secondary brake has to be activated before the wire rope slips through the brake. For this reason, the Overspeed Device is fitted with a centrifugal brake that activates when the falling speed reaches 1.64 ft/s, after which the wire rope jams. The Overspeed Device can be used worldwide on one-person gondolas, Bosun's chairs and in some regions for two-person gondolas as well.



OUTRIGGERS

Our outriggers are CE approved and - just like all other parts of the Suspended Platform Systems - are certified in accordance with EN1808:1999+A1:2010. In addition, this outrigger has been designed and tested to exceed all other relevant international standards. As with our platform modules and the XSClimber, the starting points for our outriggers are ease of transportation, efficiency and maximum safety. Our outriggers are characterized by the following:

LIGHTWEIGHT

Thanks to its innovative design, our roof beam has only a limited number of parts. All individual parts weigh less than 51 lbs., which makes the outrigger easy to transport by a single person.

NO TOOLS NEEDED

The outrigger is easy to assemble and can be secured safely and without tools, with the help of locking pins.

ERGONOMIC COUNTERWEIGHTS

A single counterweight weighs just 50.7 lbs. and can be properly lifted by a single person. Handles are integrated for easier lifting. Once in place, the counterweights are locked so they cannot be moved when the outrigger is operational.

CAN BE ADAPTED TO ANY SITUATION

The total length of the outrigger can be effortlessly defined and adjusted on site, without any tools. The outreach can easily be extended from 2'11" up to 7'2". With the help of the inner beam on the rear, the wheelbase can be reduced from 18.0 to 13.5 feet. For roofs with a parapet, a high setup can be assembled, using two raising beams. With the help of the supports on the front, the outrigger can be adjusted to compensate for imperfections in the roof surface.

INTEGRATED SHOCK ABSORBER

A stable suspension point is critical for working safely and comfortably on a suspended platform. Conventional systems do not compensate the forces, caused by wind, or movement on the platform, or work around it with swinging counterweights. This can lead to dangerous situations. For this reason, we have engineered a purpose built shock absorber to which the suspension rope is directly attached. This way, the counterweights stay steady in place, avoiding the risk of the outrigger tipping over. It also protects users against unexpected movements of the platform. As a result, the entire system is more stable and therefore, safer.

SAFE ASSEMBLY BY A SINGLE PERSON

Thanks to its simple assembly, its lightweight parts and its handy counterweights, the outrigger can be assembled for use safely and easily by a single person.

ALTERNATIVE FIXINGS

Our Suspended Platform Systems have been developed in such a way that they can also be installed with other roof anchorage or support systems such as a parapet clamp or a davit arm.

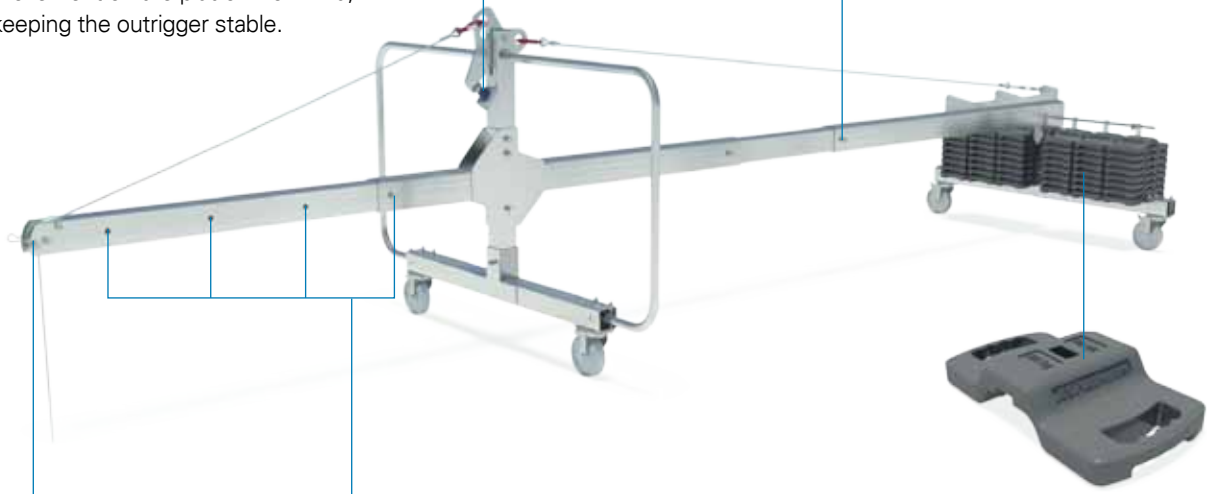
LOW SETUP

INTEGRATED SHOCK ABSORBER

Absorbs shocks caused by movement on the platform or wind, keeping the outrigger stable.

ADJUSTABLE INNER BEAM

The length of the inner beam can be adjusted from 14'7" to 18'.



WLL

The outrigger has a Working Load Limit of 1760 lbs.

ADJUSTABLE OUTREACH

The outreach can easily be adjusted from 3'1" to 6'6"

COUNTERWEIGHTS

The ergonomically designed counterweights weigh just under 51 lbs.

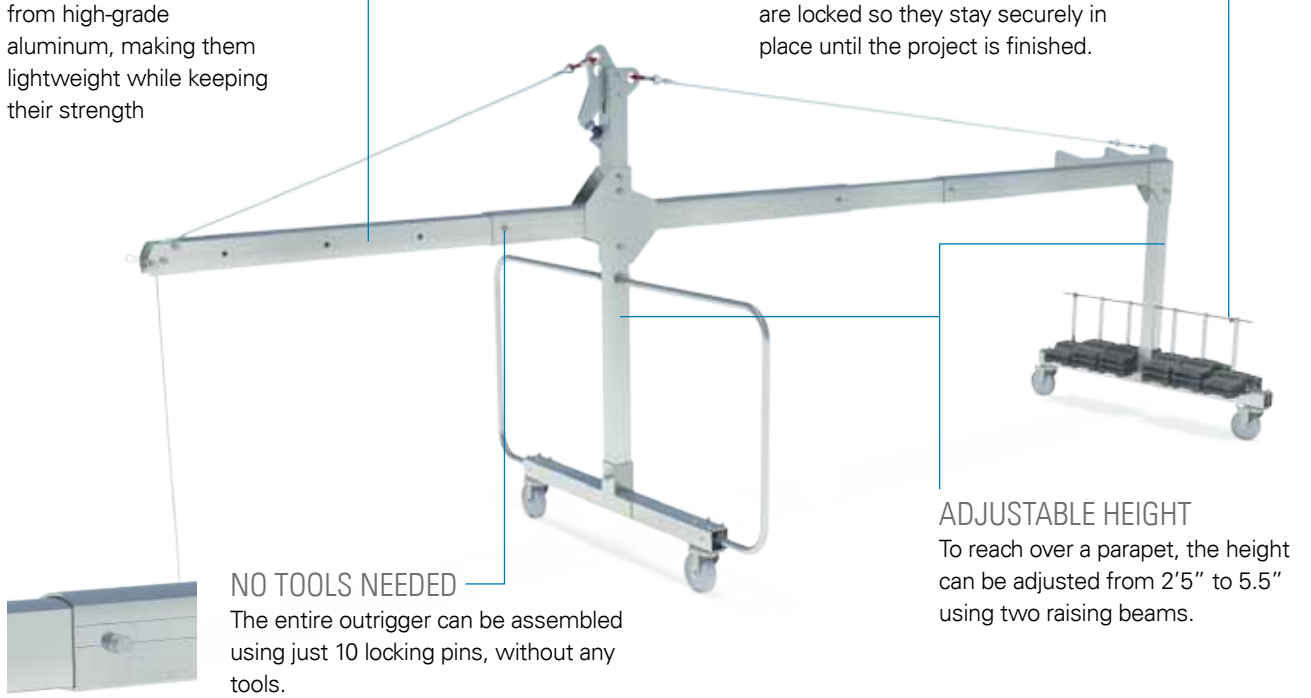
HIGH SETUP

EXTRUDED PROFILES

The beams are extruded from high-grade aluminum, making them lightweight while keeping their strength

LOCKED COUNTERWEIGHTS

Once assembled, the counterweights are locked so they stay securely in place until the project is finished.



NO TOOLS NEEDED

The entire outrigger can be assembled using just 10 locking pins, without any tools.

ADJUSTABLE HEIGHT

To reach over a parapet, the height can be adjusted from 2'5" to 5.5" using two raising beams.



ALWAYS THE RIGHT SOLUTION

XSPlatforms engineers its products with the specific needs of the customer in mind. Each structure has unique details that may need a tailored approach. By thinking in terms of customized work, XSPlatforms has the right solution for every sector, market and building.

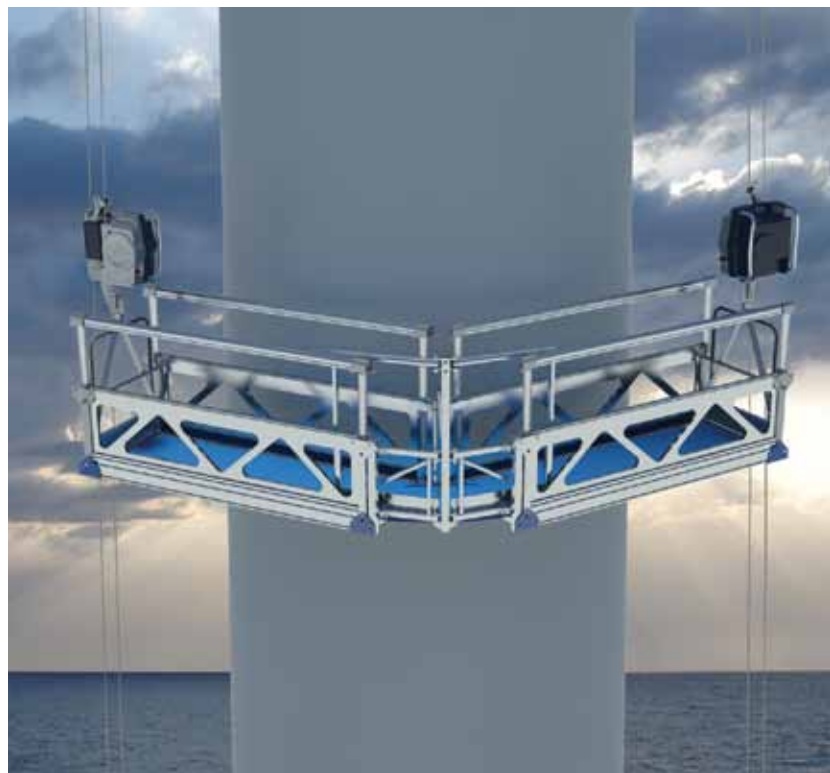
APPLICATIONS

Our standout product innovations, that are able to faultlessly combine safety, mobility and user-friendliness, make our suspended platforms suitable for highly diverse temporary works at height. Our Suspended Platform Systems are, among others, well suited to the following applications and sectors:

- Rental
- Facade maintenance
- Renovation
- Facility management
- Special maintenance
- Large-scale industrial maintenance
- Offshore maintenance
- Aircraft maintenance

SPECIFIC SOLUTIONS

The buildings within these sectors vary a great deal. In addition to offices and apartment buildings, we can also consider structures like: churches, shops, monuments and factories. On top of this, we also think of special constructions such as windmills, which can be maintained or repaired by placing corner sections around them.



ABOUT XSPLATFORMS

XSPlatforms develops ground-breaking solutions for working safely and efficiently at heights. From design and production, to installation, inspection and maintenance of facade access systems.

XSPlatforms offices in Europe, Asia-Pacific, the Middle East and North and South America also provide user training, risk assessments and worldwide consultancy services.



Attractive, durable designs, a high degree of reliability, unparalleled user-friendly and practical innovations distinguish XSPlatforms solutions from their competitors. Our portfolio includes:

FALL PROTECTION

The highest level of permanent safety is provided by our guard rails and lifeline systems. With minimal damage to rooftops and quick assembly, our products for (mobile) fall protection are among the best in the world. All our fall protection solutions are designed with the user in mind: practical, safe and intuitive.

FACADE ACCESS EQUIPMENT

The demands on safety are becoming stricter by the day. To ensure minimal impact on the architecture of a building, all our building maintenance solutions are customized and designed to the specific characteristics of a building. Our gondolas and roof cars are equipped with the latest technical innovations and provide maximum safety for the user.

SUSPENDED PLATFORM SYSTEMS

Always room for improvement. With this core value in mind, our team of engineers has developed a newly patented design for suspended platforms. Safe during assembling, use and dismantling. This revolutionary system offers users more freedom of movement, greater safety during use and is easier to transport.

SCAFFOLDING SYSTEMS

Scaffolding systems that are easier and safer to install than ever thought possible. Systems that combine the advantages of scaffold towers and facade scaffolds, while providing users with optimal flexibility and safety.

DISCLAIMER

XSPlatforms believes that the information in this brochure gives an accurate description of the general use of the product. However, XSPlatforms may under no circumstances be held liable for any incidental or consequential damage that may arise from use of the product and which is beyond its control. Customers must ensure that this product is suitable for the intended application. XSPlatforms reserves the right to change the product composition and production process - and thereby also the performance characteristics of the product - at any time and without prior notice.

For any questions regarding this product, please contact your supplier or XSPlatforms.

Netherlands (head office) - Europe, Asia-Pacific, the Middle East, North and South America

suspendedxs@xsplatforms.com | **3.0**
